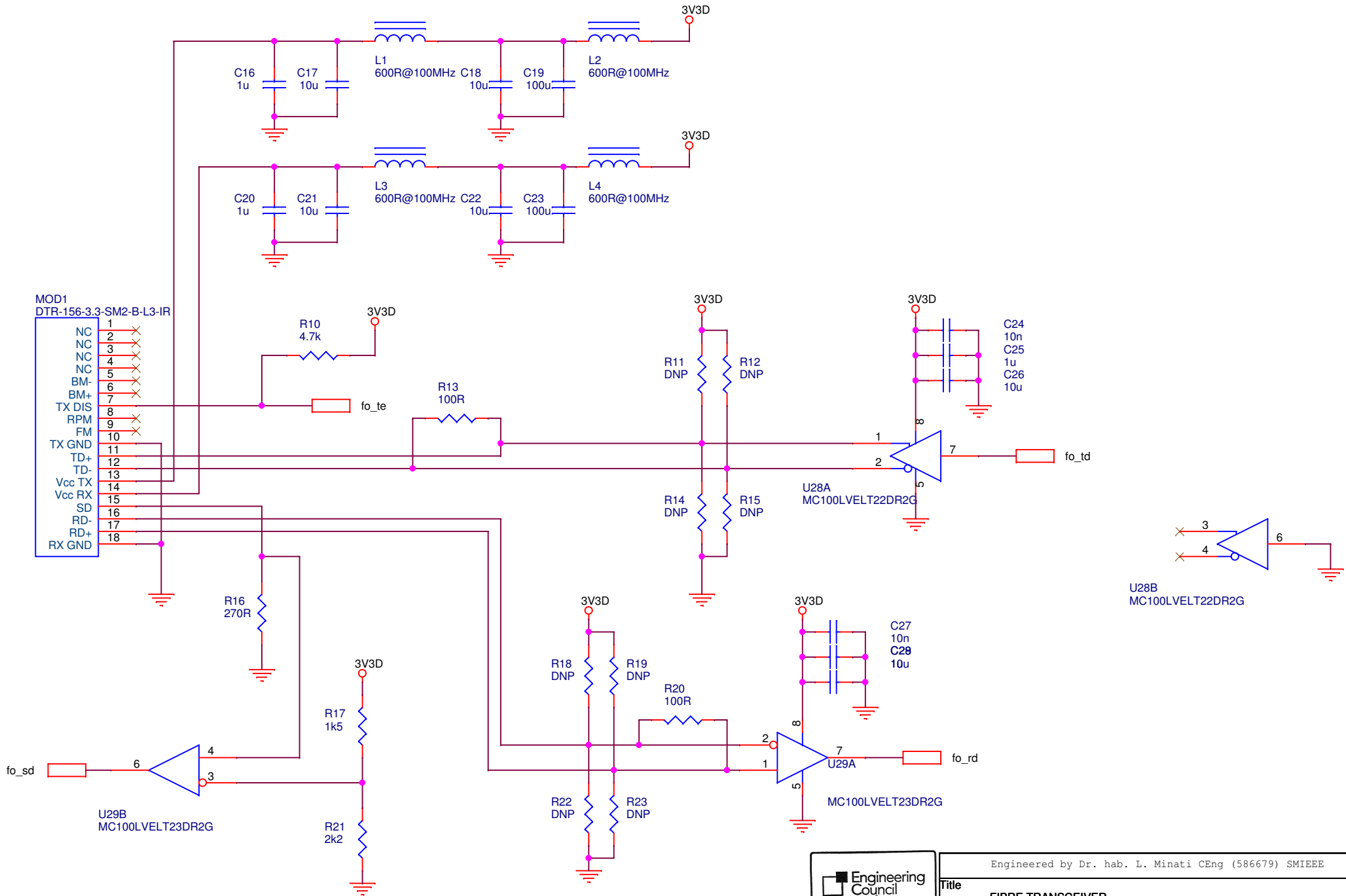


Engineered by Dr. hab. L. Minati CEng (586679) SMIBEE		
Title	POWER REGULATORS	
Size	Document Number	Rev
A4	LAIKA DAQ/CONTROL ENDPOINT (LUD1712)	00
Date:	Thursday, January 11, 2018	Sheet 1 of 9

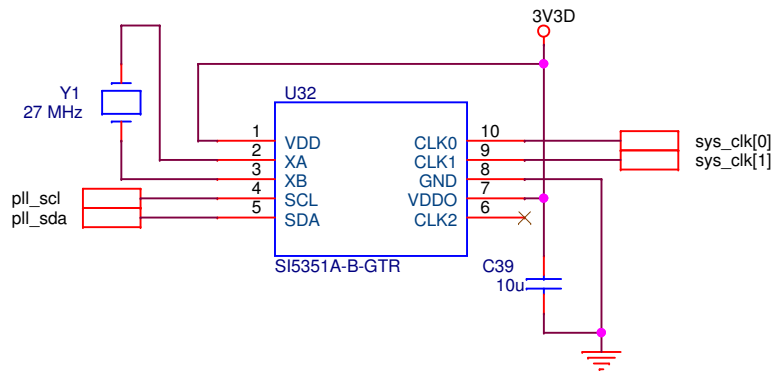
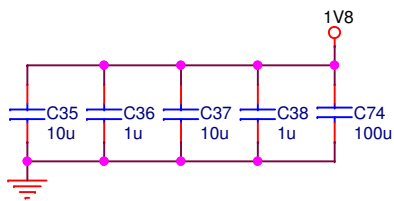
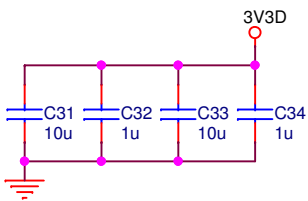
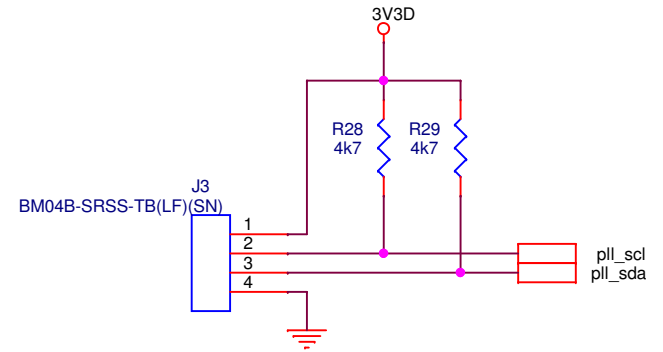
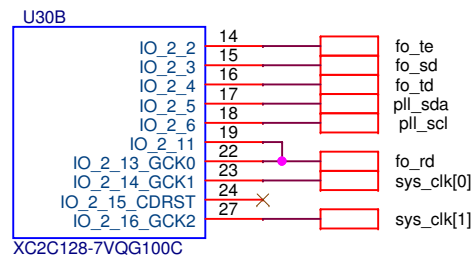
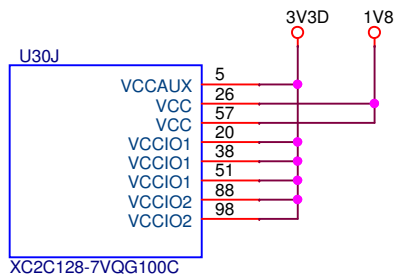
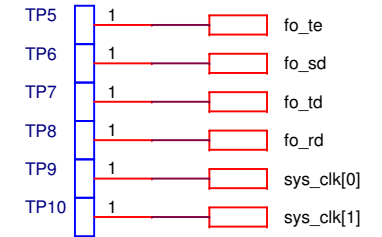
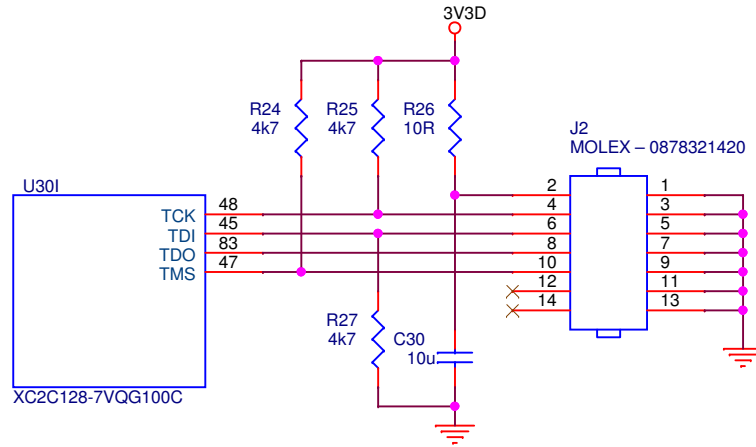
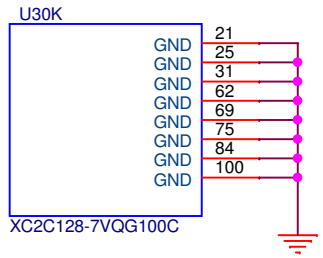


MOD1
DTR-156-3.3-SM2-B-L3-IR

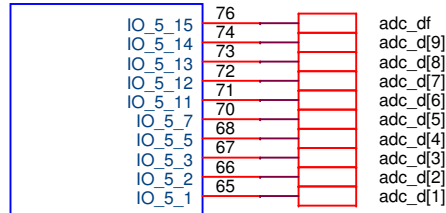
1	NC
2	NC
3	NC
4	NC
5	NC
6	BM-
7	BM+
8	TX DIS
9	RPM
10	FM
11	TX GND
12	TD+
13	TD-
14	Vcc TX
15	Vcc RX
16	SD
17	RD-
18	RD+
	RX GND



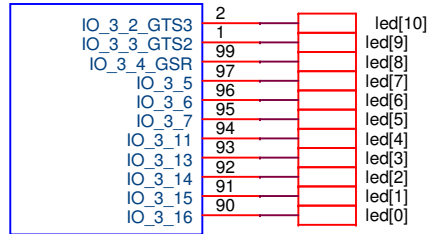
Engineered by Dr. hab. L. Minati CEng (586679) SMIBEE		
Title	FIBRE TRANSCEIVER	
Size	Document Number	Rev
A4	LAIKA DAQ/CONTROL ENDPOINT (LUD1712)	00
Date:	Thursday, January 11, 2018	Sheet 2 of 9



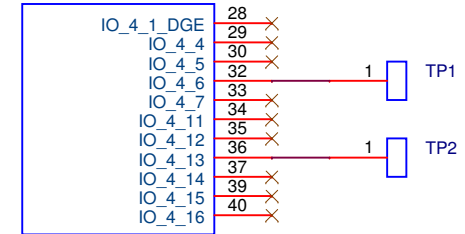
Engineered by Dr. hab. L. Minati CEng (586679) SMIBEE		
Title	CPLD - PART 1	
Size	Document Number	Rev
A4	LAIKA DAQ/CONTROL ENDPOINT (LUD1712)	00
Date:	Thursday, January 11, 2018	Sheet 3 of 9



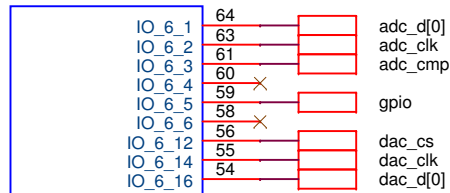
U30E
XC2C128-7VQG100C



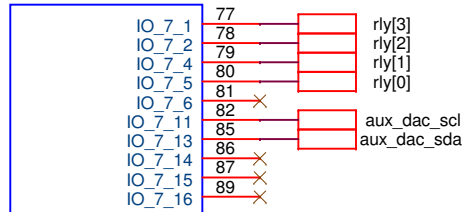
U30C
XC2C128-7VQG100C



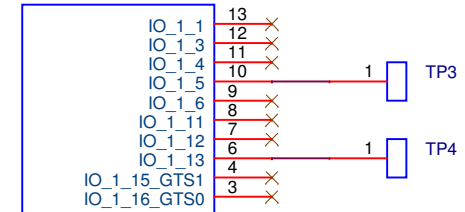
U30D
XC2C128-7VQG100C



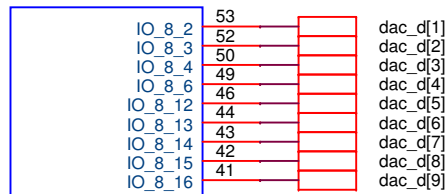
U30F
XC2C128-7VQG100C



U30G
XC2C128-7VQG100C



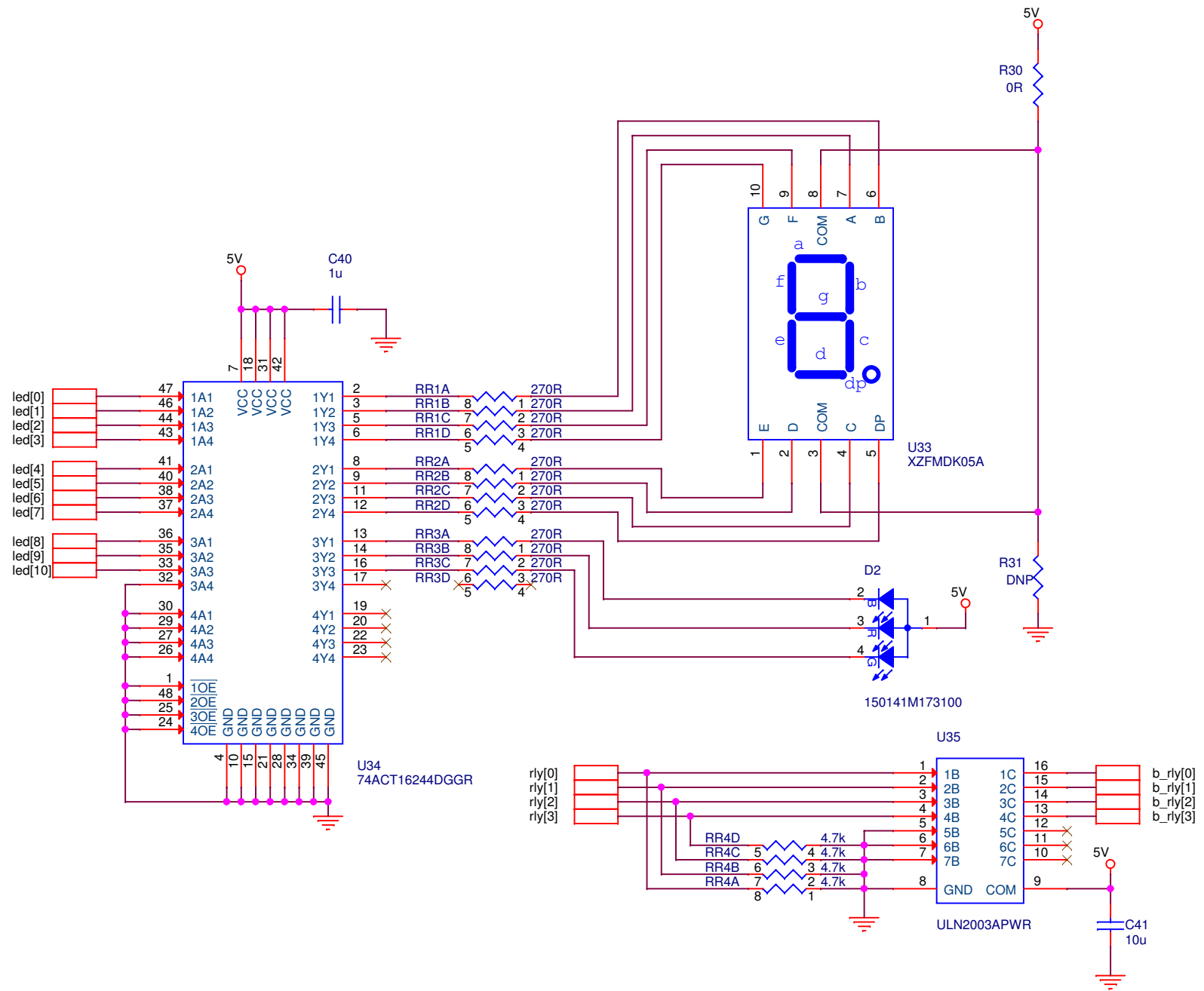
U30A
XC2C128-7VQG100C



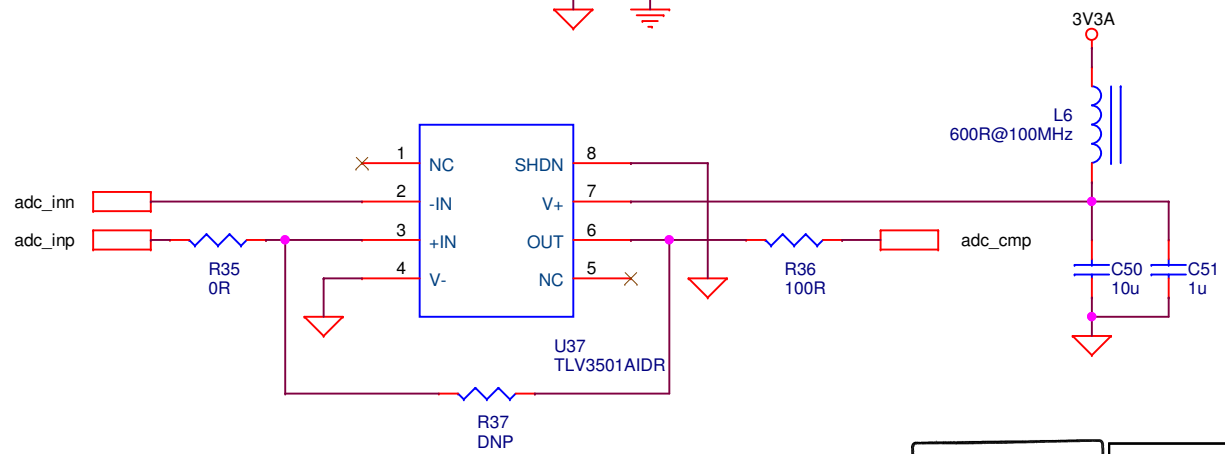
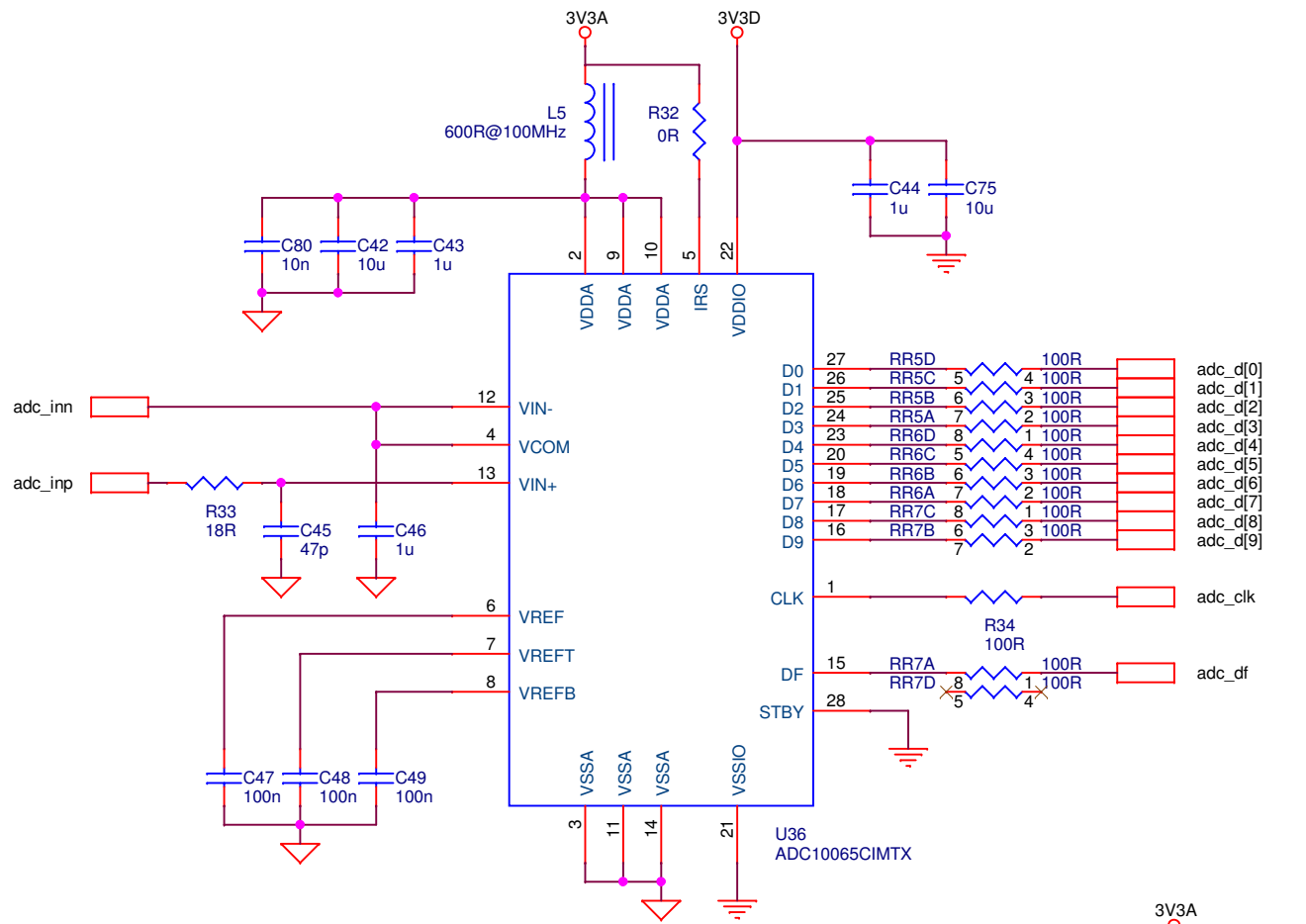
U30H
XC2C128-7VQG100C



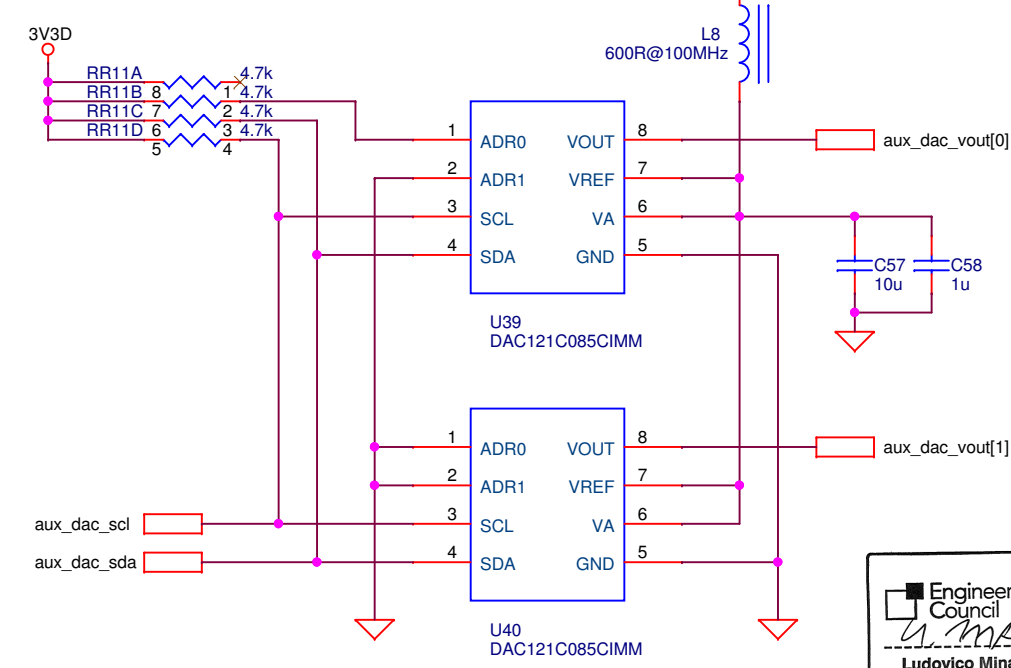
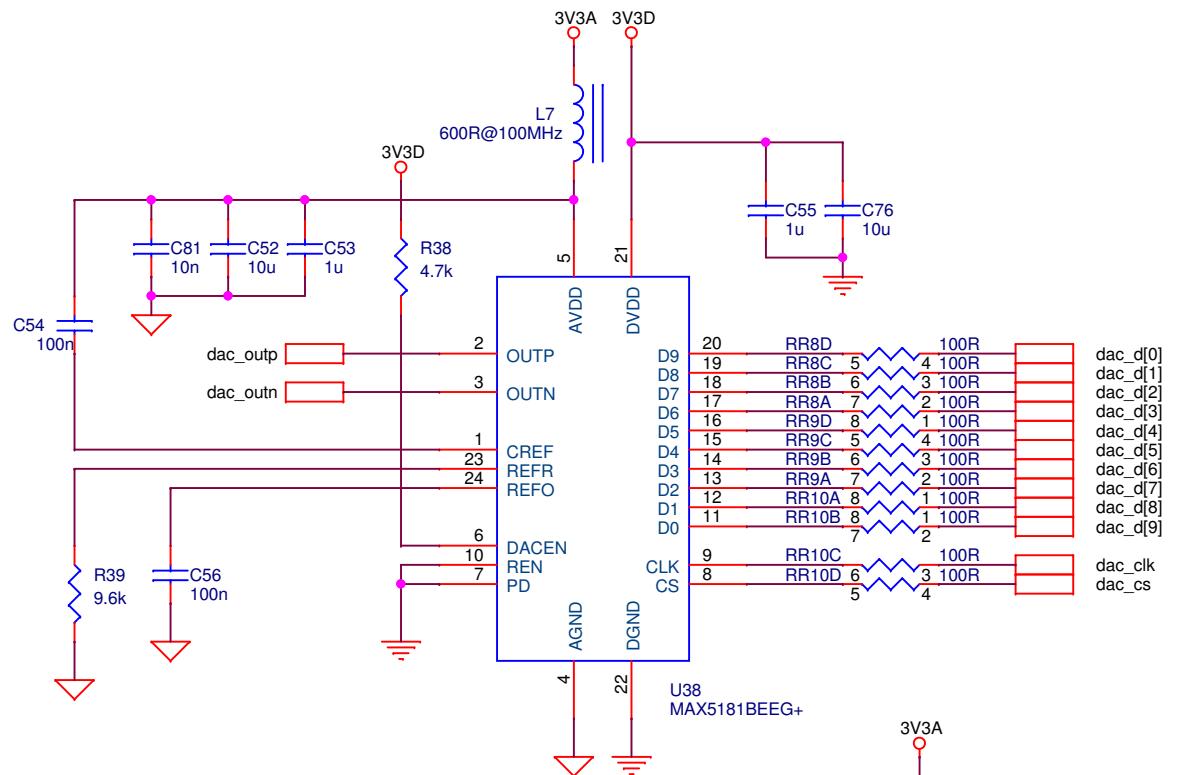
Engineered by Dr. hab. L. Minati CEng (586679) SMIBEE		
Title	CPLD - PART 2	
Size	Document Number	Rev
A4	LAIKA DAQ/CONTROL ENDPOINT (LUD1712)	00
Date:	Thursday, January 11, 2018	Sheet 4 of 9



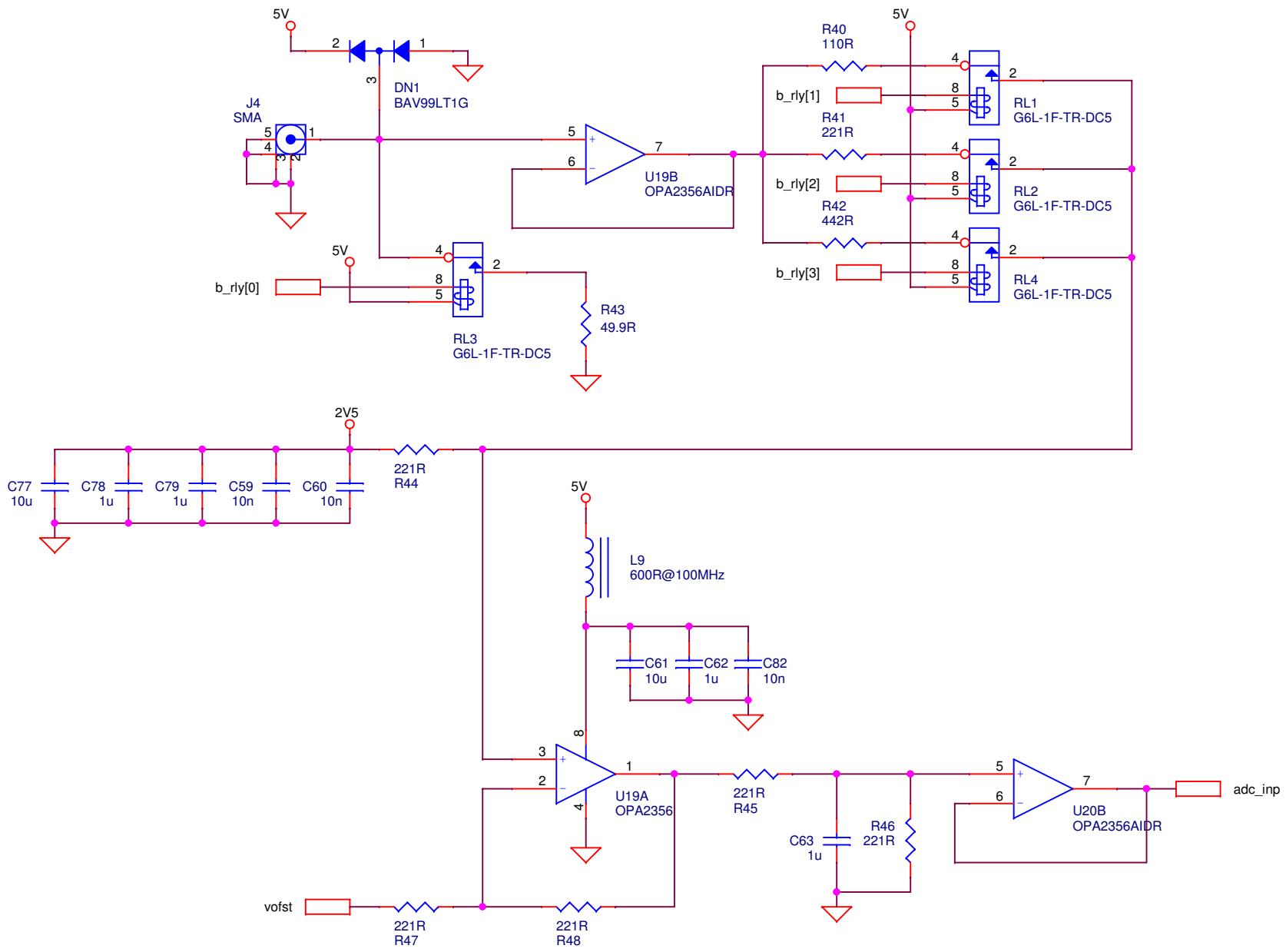
Engineered by Dr. hab. L. Minati CEng (586679) SMIBEE		
Title	DISPLAY, RELAY BUFFER	
Size	Document Number	Rev
A4	LAIKA DAQ/CONTROL ENDPOINT (LUD1712)	00
Date:	Friday, January 12, 2018	Sheet 5 of 9



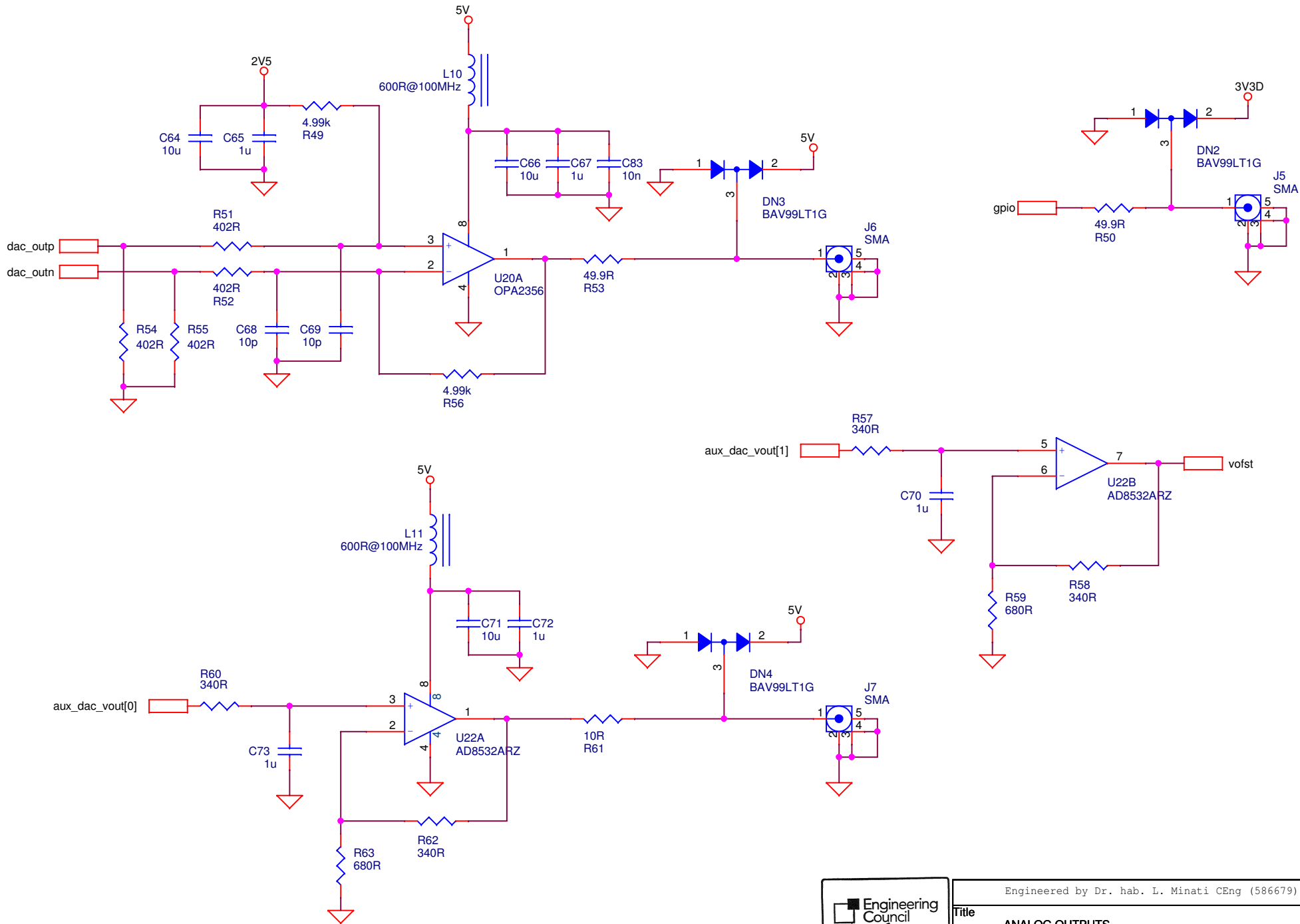
Engineered by Dr. hab. L. Minati CEng (586679) SMIBEE			
Title		ADC, COMPARATOR	
Size	A4	Document Number	LAIKA DAQ/CONTROL ENDPOINT (LUD1712)
Date:	Thursday, January 11, 2018	Sheet	6 of 9
Rev	00		



Engineered by Dr. hab. L. Minati CEng (586679) SMIBEE		
Title	DAC	
Size	Document Number	Rev
A4	LAIKA DAQ/CONTROL ENDPOINT (LUD1712)	00
Date:	Thursday, January 11, 2018	Sheet 7 of 9



Engineered by Dr. hab. L. Minati CEng (586679) SMIBEE		
Title ANALOG INPUT		
Size A4	Document Number LAIKA DAQ/CONTROL ENDPOINT (LUD1712)	Rev 00
Date: Thursday, January 11, 2018	Sheet 8	of 9



Engineered by Dr. hab. L. Minati CEng (586679) SMIBEE		
Title ANALOG OUTPUTS		
Size A4	Document Number LAIKA DAQ/CONTROL ENDPOINT (LUD1712)	Rev 00
Date: Thursday, January 11, 2018	Sheet 9 of 9	